
Technical Data**TSC 30052A**

OPERATOR : GRIMALDI COMPAGNIA DI NAVIGAZIONE S.P.A.**FLEET SERIAL NOS :****40 ft. - 120 ton General Cargo Rolltrailer (2.5M)**

FRGC 120012	0	FRGC 120013	6	FRGC 120014	1
FRGC 120015	7	FRGC 120016	2	FRGC 120017	8
FRGC 120018	3	FRGC 120019	9	FRGC 120020	2
FRGC 120021	8	FRGC 120022	3	FRGC 120023	9
FRGC 120024	4	FRGC 120025	0	FRGC 120026	5
FRGC 120027	0	FRGC 120028	6	FRGC 120029	1
FRGC 120030	5	FRGC 120031	0	FRGC 120032	6
FRGC 120033	1	FRGC 120034	7	FRGC 120035	2
FRGC 120036	8				

EC-Homologation Declaration (CCE)
conforming to EC directive on machines 89/392/EEC, Annex II A

Type of Machine:- 40FT – 100 TONNES CAPACITY ROLL TRAILERS (2.5M)
40FT – 120 TONNES CAPACITY ROLL TRAILERS (2.5M)

Order No:- 915436/00615979/0116676 (San Paolo Leasint S.P.A.)

developed, designed and manufactured according to:

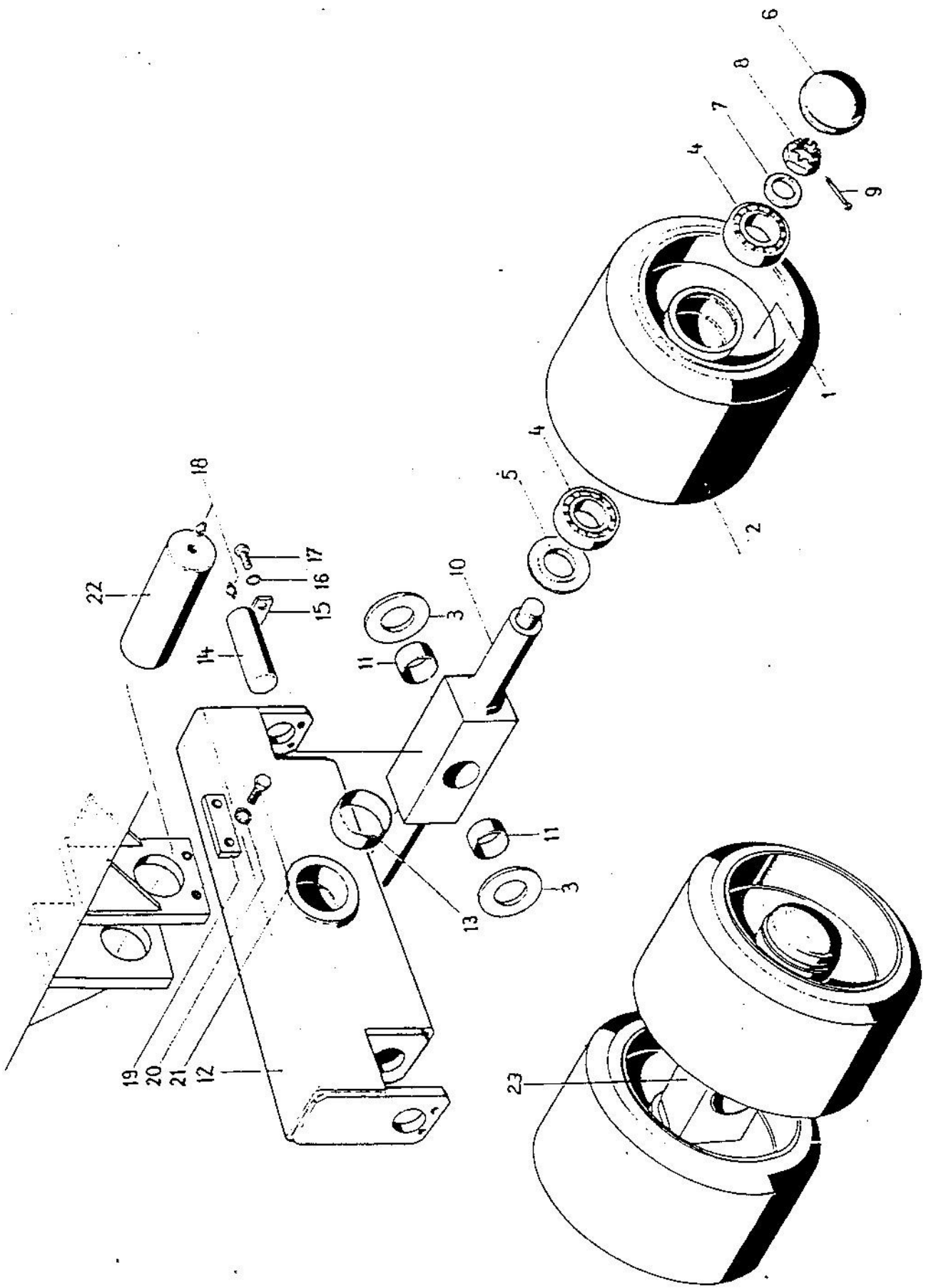
EC Directives for Machinery (89/392EWG)

The following national homologation standards, directives and specifications have been applied:-

DIN EN 287-1 (re welding and weld preparation of steelwork)

DIN EN 292 (safety of machines, general rules and general design regulations)

Date: 19th June 2001



SPARE PARTS SCHEDULE :

TSC 30051 – TSC 30052

RUNNING GEAR DRG NOS : 2.10.29.0016

40 ft. – 120 ton Rolltrailer

ITEM DESCRIPTION

- 1 Steel Wheel Rim (basic)
- 2 Steel banded 28" x 16"/22" solid rubber tyre (559 x406/559 mm)
- 3 Steel Axle Spacer Washer (DIN 125)
- 4 Taper Roller Bearing
- 5 Oil Seal 90/40
- 6 Steel Hubcap
- 7 -
- 8 Lock Nut (M100)
- 9 Lock Ring
- 10 Pendle Axle (basic)
- 11 Axle Bush 90/95-40 (2)
- 12 Rocker Beam (basic) 1100 mm centres
- 13 Rocker Bush 120/140-60 (2)
- 14 Mild Steel Axle Pin 90mm dia.
- 15 Keep Plate (axle pin)
- 16 Lock washer (axle keep plate)
- 17 Treaded Bolt M12 (axle keep plate)
- 18 Grease Nipple
- 19 Keep Plate (rocker pin)
- 20 Lock Washer (rocker keep plate)
- 21 Threaded Bolt M16 (rocker keep plate)
- 22 Mild Steel Rocker Pin 120 mm dia.
- 23 Complete Pendle Wheel & Axle Assembly
With press-on 28" x 16" /22" steel banded
Solid Rubber single tyres (559x406/559 mm)

TORQUE MAINTENANCE SCHEDULE :

A. Inspection + Torque Schedule :

- Immediately within the first initial 24 hours operational service
- At the end of the first week of operation service
- Thereafter, at least every month as part of a standard monthly inspection routine

B. Wheel Set (castle nut M48) :

Should be checked every month to ensure that the torque is correct and that the retaining split pin is firmly in position.

If necessary, tighten up to a maximum torque of 900 Nm.

C. Keep Plate Bolts (M12 & M16)

The 4 rocker pin keep plate bolts and 8 axle keep plate bolts should be both visually and manually checked and if necessary torqued up to :

Max. 40 Nm M12 (8.8) axle keep plate bolts

Max. 100 Nm M18 (8.8) rocker keep plate bolts

Inspection and torque schedule as detailed under “ A “

SERVICE MANUAL

40 ft.- 120 ton General Cargo Rolltrailer

GENERAL :

The following general checks and maintenance procedures should be carried out on a regular basis to ensure safe and trouble free operations.

TYRES + WHEELS :

The steel banded solid rubber tyres are pressed onto the fully welded steel rims. A minimum monthly visual inspection for tyre damage is recommended.

LUBRICATION :

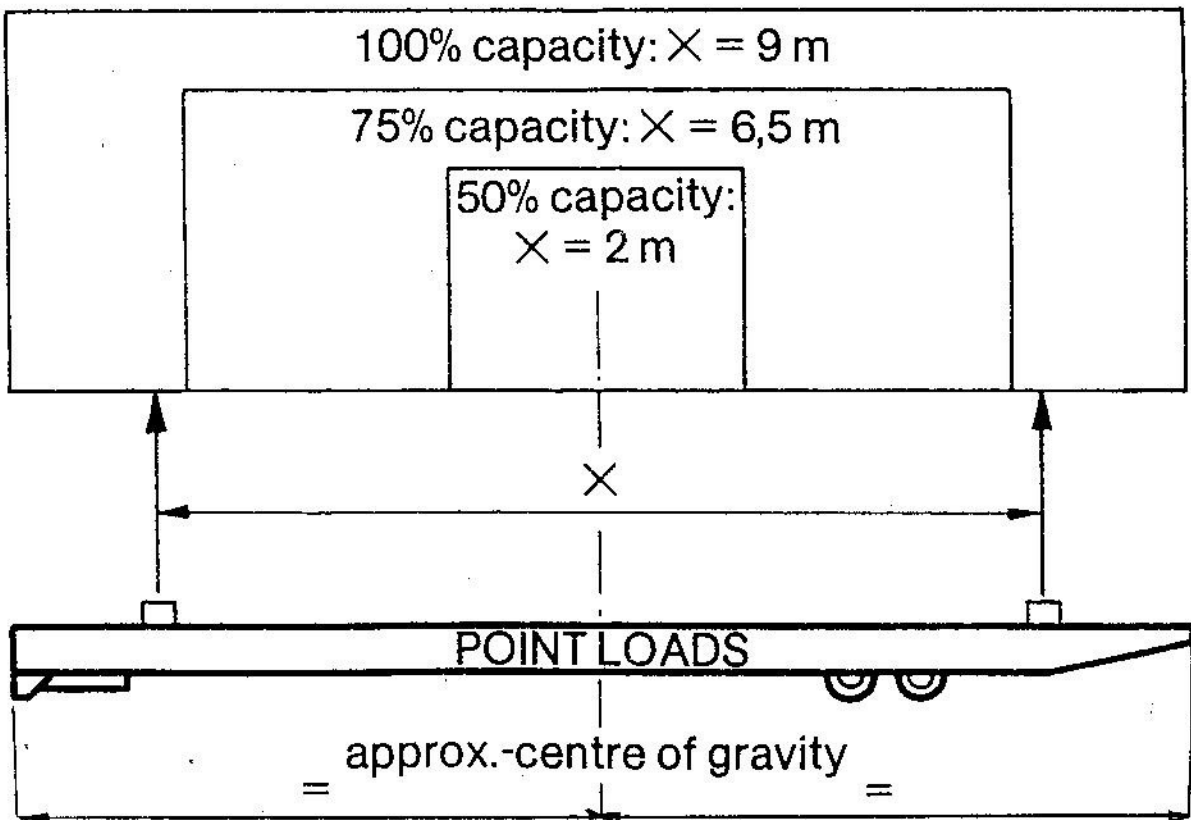
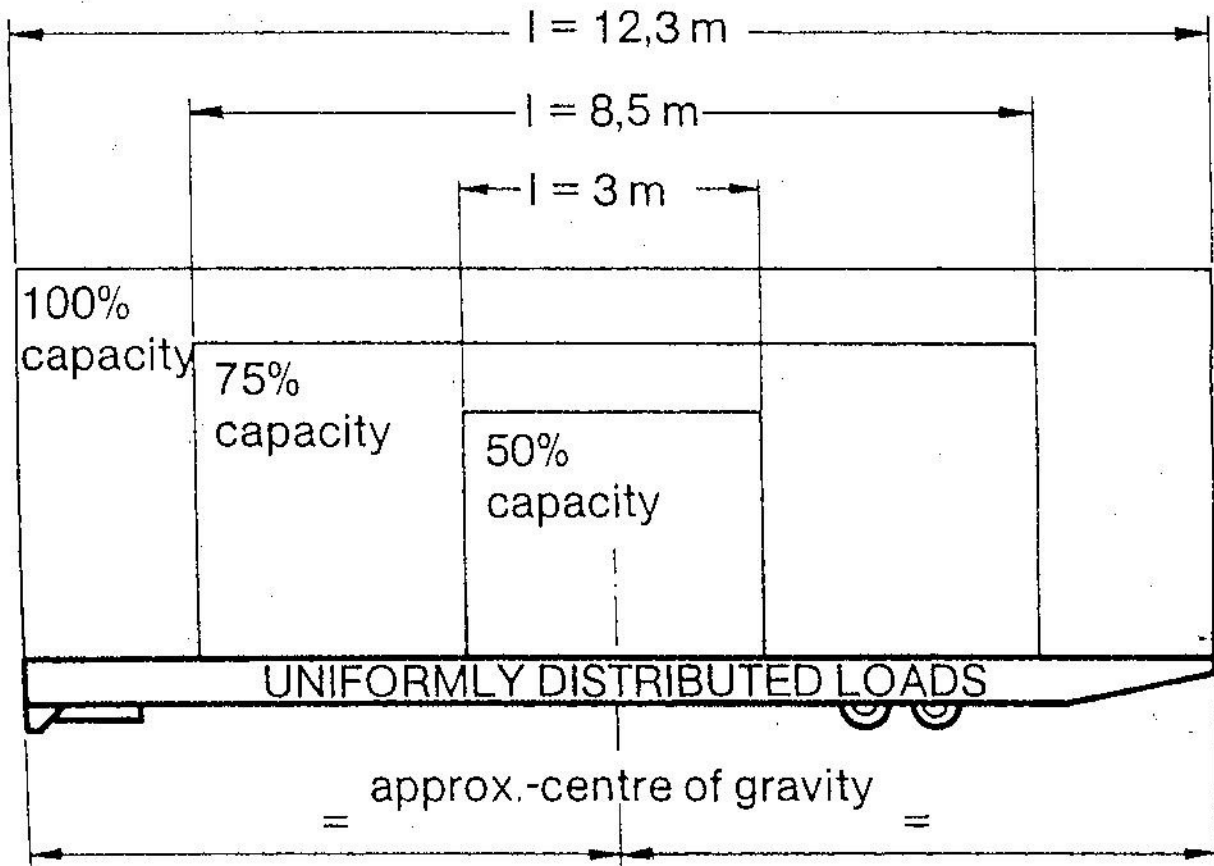
There are a total of 14 lubrication points in the running gear assembly

- One at the end of the each mild steel (C35) axle pivot pin (total 4)
- One at the end of each mild steel (C35) rocker pivot pin (total 2)
- One in each of the steel wheel rim. (total 8)

Regular lubrication of all 14 lube points at the end of the first month's operation thereafter, at least every 6 months. Make sure that all the plastic hubcaps are intact and firmly in position.

Use multi-purpose bearing grease (e.g. SKF GEM2 or LGEV2)

LOAD DIAGRAM



Technical Data

40 ft. - 120 ton General Cargo Rolltrailer (2.5M)

Max. Payload	120.000 kgs
Platform Size L x W	12,315 x 2.640 mm.
Platform Height	870 mm / 920 mm (front / over running gear)
Decking	60 mm. pine wood impregnated
Solid Rubber Tyre Size	28" x 16" /22" (711 x 406/559 mm) steel banded
Accessories	4 x Container Locating Spigots (retractable) 4 x " D" Shackles Unladen Forklift Pockets (2050 mm centres) Safety Hooks (at the coupling tunnel) 22 x Lashings Bars (2 + 9 + 9 + 2) 12 x Stanchion Pockets (2 + 4 + 4 + 2) Steel "Stacking" Plates over running gear
Load Distribution	
King Pin Load	max. 30 tons
1 st Axle Line	max. 25 tons x 2
2 nd Axle Line	max. 25 tons x 2
Tare Weight	approx. 10.000 kgs.

OPERATOR : ATLANTICA di NAVIGAZIONE S.P.A of NAPLES – ITALY